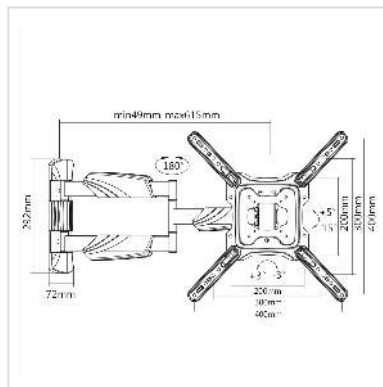
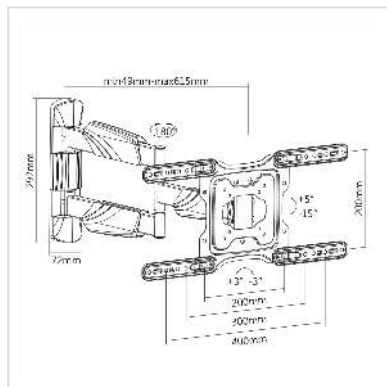


# VALUE LCD/TV Wall Mount, 4 Joints

<b>Product No.</b>	17.99.1144
<b>Manufacturer</b>	VALUE
<b>Manufacturer No.</b>	17.99.1144
<b>EAN (single piece)</b>	7611990150199



- Mounts a monitor onto a wall
- Integrated cable management system
- Built-in level adjustment
- Swiveling arm offer maximum viewing flexibility (+90° - -90°)
- Freely tilting allows easy TV angle adjustment (+5° - 15°)
- Load capacity: up to 35 kg
- Meets VESA 400 x 400 mm
- Arm length: 61 cm

## Technical specifications

Manufacturer	VALUE
Product group	LCD-Monitor arms
Product type	Monitor Arms, wall mount
Colour	black
Scope of delivery	supporting arm
Load capacity	35 kg
Quantity of pivots	4
Fixing	Wall Mount
Maximal arm length	610 mm
Adjustments	Adjustable spring gauge
Number of monitors	1

VESA 200 x 200 mm	Yes
VESA 300 x 300 mm	Yes
VESA 400 x 200 mm	Yes
VESA 400 x 300 mm	Yes
VESA 400 x 400 mm	Yes
Material group	metal
Technical particularity	400x200 and 600x400mm
Weight	3437.5 g
Height of packaging (single piece)	65 mm
Width of packaging (single piece)	275 mm
Depth of packaging (single piece)	415 mm
Package weight (single piece)	3.76 kg